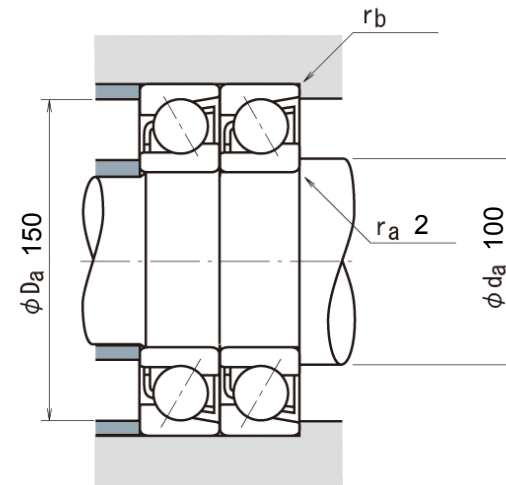
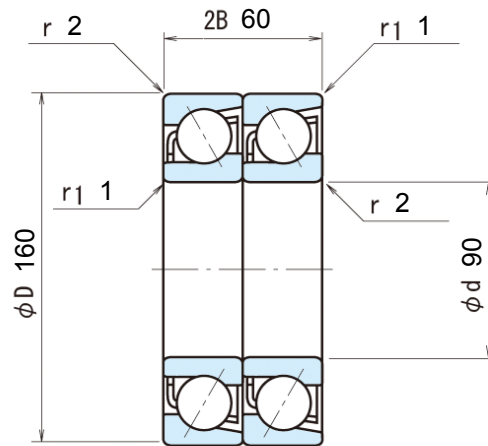


Boundary Dimensions (mm)					Basic Load Ratings (kN)		Limiting Speeds (min <sup>-1</sup> )		Bearing Numbers	NSKHPS
<i>d</i>	<i>D</i>	<i>2B</i>	<i>r</i> min.	<i>r1</i> min.	<i>C<sub>r</sub></i>	<i>C<sub>0r</sub></i>	Grease	Oil		
90	160	60	2	1	173	188	2000	2800	<b>7218BWDT</b>	



Factor	Mass (kg) approx.
$f_0$	approx.
-	4.58